



DEPARTMENT OF COMMUNITY DEVELOPMENT

City of Cedar Falls
 220 Clay Street
 Cedar Falls, Iowa 50613
 Phone: 319-268-5161
 Fax: 319-268-5197
 www.cedarfalls.com

Inspection Services Division

Accessible Bathroom Requirements:

ICC A117.1-2009 Accessible and Usable Building and Facilities and International Building Code Chapter 11

604.2 Location. The water closet shall be located with a wall or partition to the rear and to one side. The centerline of the water closet shall be 16" minimum and 18" maximum.

604.3.1 Clearance Width. Clearance around a water closet shall be 60" minimum in width, measured perpendicular from the sidewall.

604.3.2 Clearance Depth. Clearance around the water closet shall be 56" minimum in depth, measured perpendicular from the rear wall.

603.2.1 Turning Space. A turning space complying with section 304 shall be provided within the room. The required turning space shall not be provided within a toilet compartment.

304.3.1 Circular Space. The turning space shall be a circular shape with a 60" minimum diameter. The turning space shall be permitted to include knee and toe clearance complying with Section 306

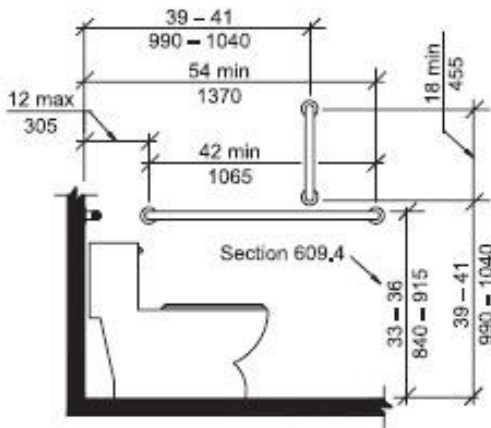
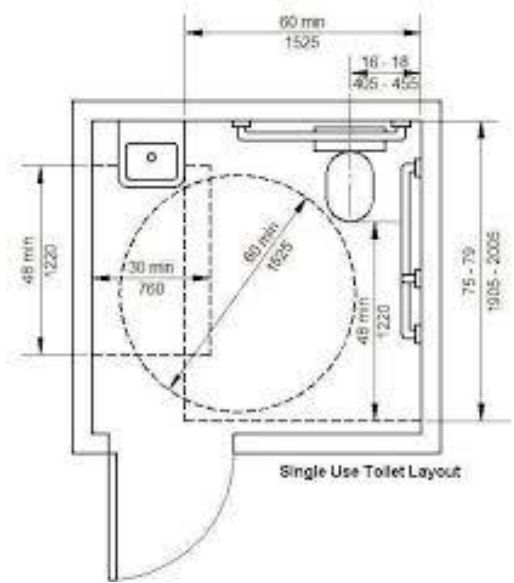


Fig. 604.5.1
 Side Wall Grab Bar for Water Closet

Grab Bars:

- Diameter of bar 1 1/2"
- Space from wall 1 1/2"
- Space from fixtures minimum 1 1/2"

604.5.1 Fixed Side wall grab Bars. Fixed Side-wall grab bars shall be 42" minimum in length, located 12" maximum from the rear wall and extending 54" minimum from rear wall. In addition, a vertical grab bar 18" minimum in length shall be mounted with the bottom of the bar located 39" minimum and 41" maximum above the floor, and with the centerline of the bar located 39" minimum at 41" maximum from the rear wall.

604.5.2 Rear Wall Grab Bars. The rear wall grab bar shall be 36" minimum in length, and extend from the centerline of the water closet 12" minimum on the side closest to the wall, and 24" minimum on the transfer side.

604.6 Flush Controls. Flush controls shall be hand operated or automatic. Hand operated flush controls shall comply with Section 309. Flush Controls shall be located on the open side of the water closet.

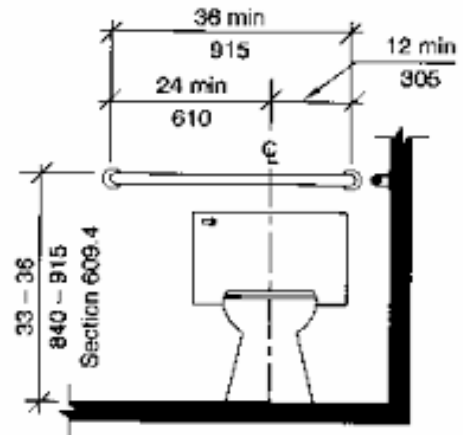
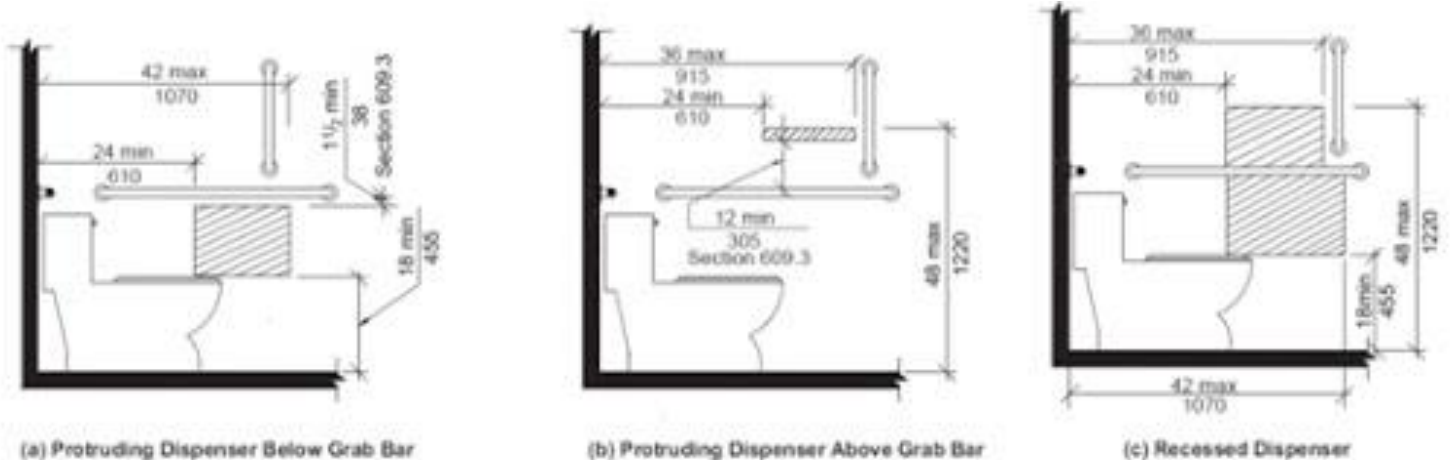


Fig. 604.5.2
Rear Wall Grab Bar for Water Closet

604.7 Dispensers. Toilet paper dispensers shall comply with Section 309.4. where the dispenser is located above the grab bar, the outlet of the dispenser shall be located within an area 24" minimum and 36" maximum from the rear wall. Where the dispenser is located below the grab bar, the outlet of the dispenser shall be located within an area 24" minimum and 42" maximum from the rear wall. The outlet of the dispenser shall be located 18" minimum and 48" maximum above the floor. Dispensers shall comply with Section 609.3. Dispensers shall not be of a type that control delivery, or do not allow continuous flow.



Note: For children's dimensions see Fig. 604.11.7 dispenser outlet location

FIG. 604.7
DISPENSER OUTLET LOCATION

Lavatories

606.2 Clear Floor Space. A clear floor space complying with Section 305.3, positioned in the forward approach shall be provided.

305.3 Size. The clear floor space shall be 48" minimum in length and 30" minimum in width.

606.3 Height. The front of lavatories and sinks shall be 34" maximum above floor, measured to the higher of the rim or counter surface.

Mirrors

603.3 Mirrors. Where mirrors are located above lavatories, a mirror shall be located over the accessible lavatory and shall be mounted with the bottom edge of the reflecting surface 40" maximum above the floor.